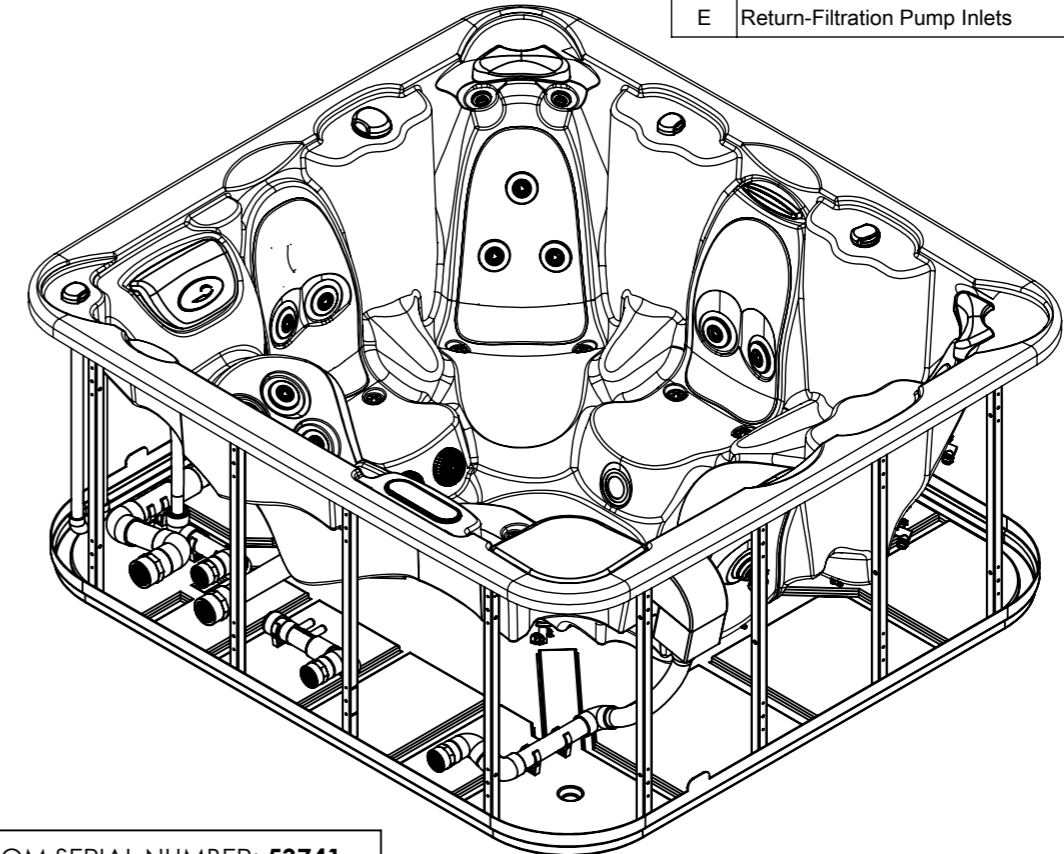
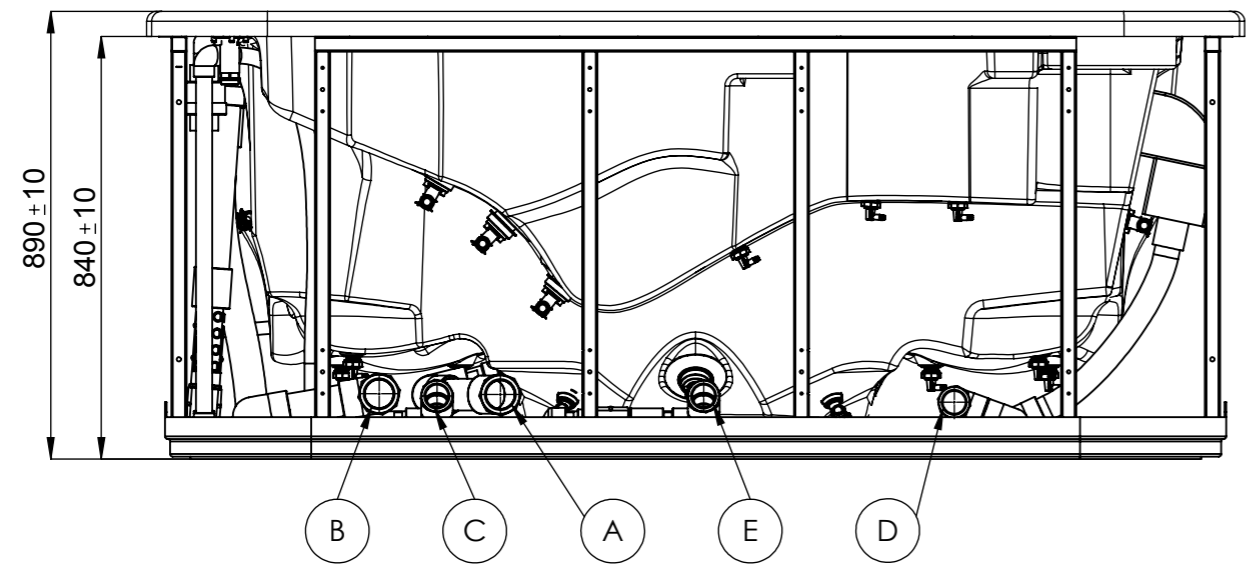
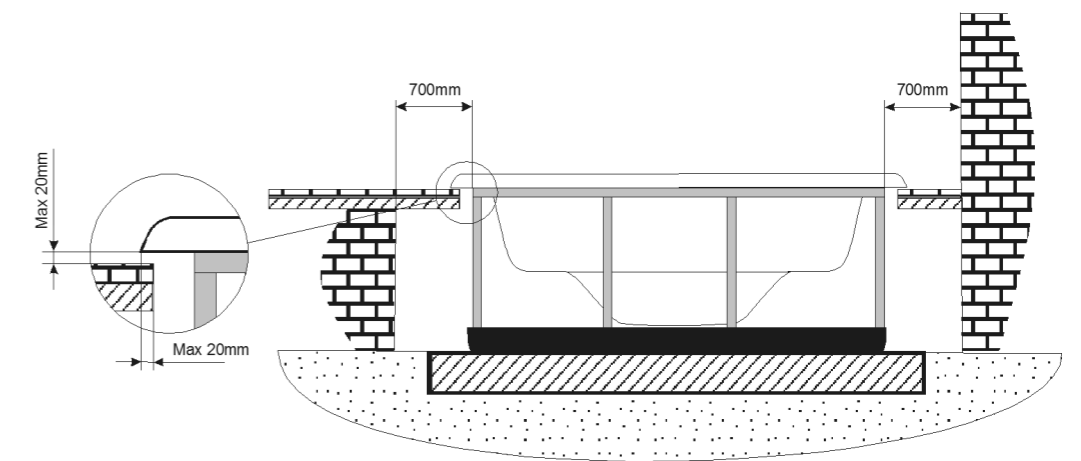
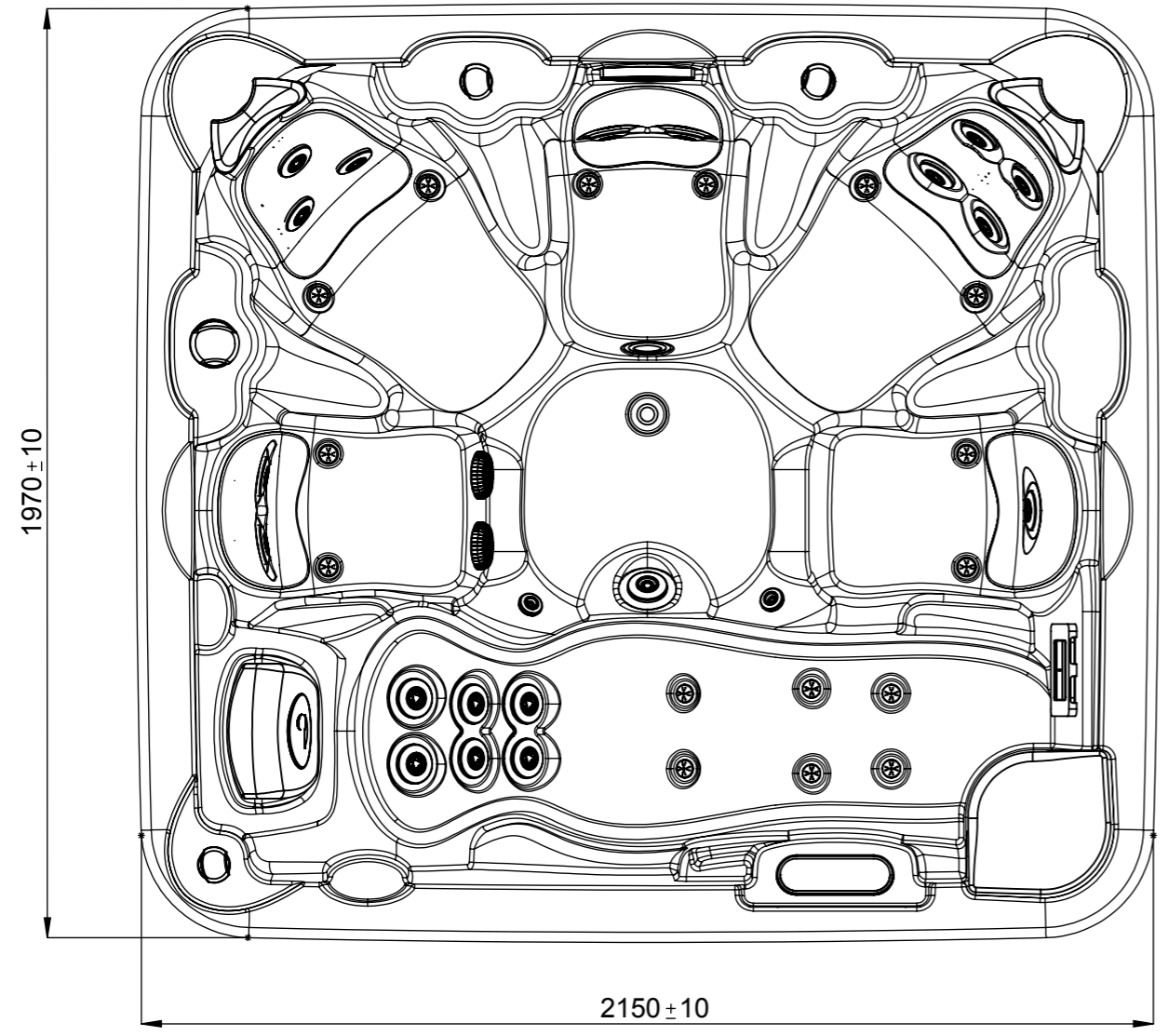


A	Suction-Water Massage Pump 1	Ø 63 FEMALE SOCKET
B	Return-Water Massage Pump 1	Ø 63 FEMALE SOCKET
C	Return-Air Massage	Ø 50 FEMALE SOCKET
D	Suction/Return-Filtration Pump Bottom Spa	Ø 50 FEMALE SOCKET
E	Return-Filtration Pump Inlets	Ø 50 FEMALE SOCKET



VALID FROM SERIAL NUMBER: **53741**
 VALIDO A PARTIR DEL NÚMERO DE SERIE: **53741**

WARNING:
 It's essential to keep a minimum clearance access of **700mm** all around.

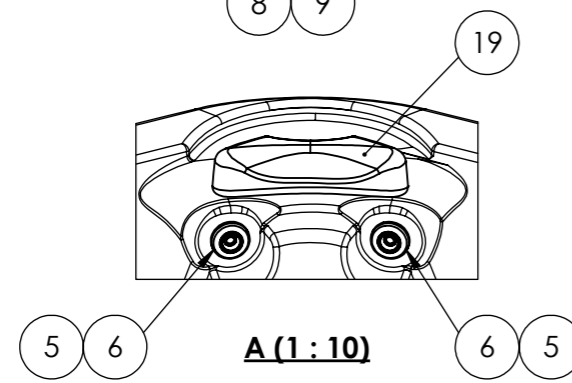
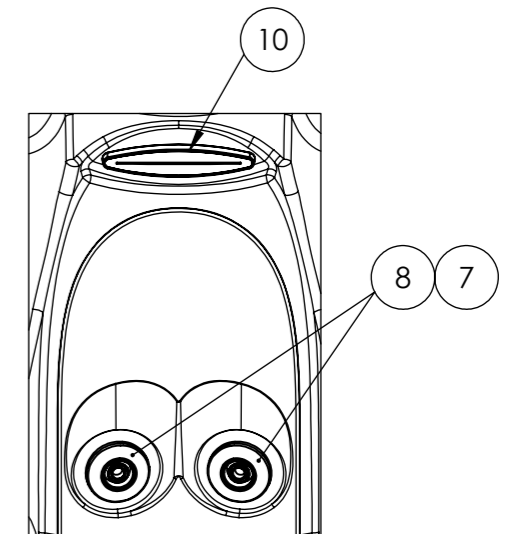
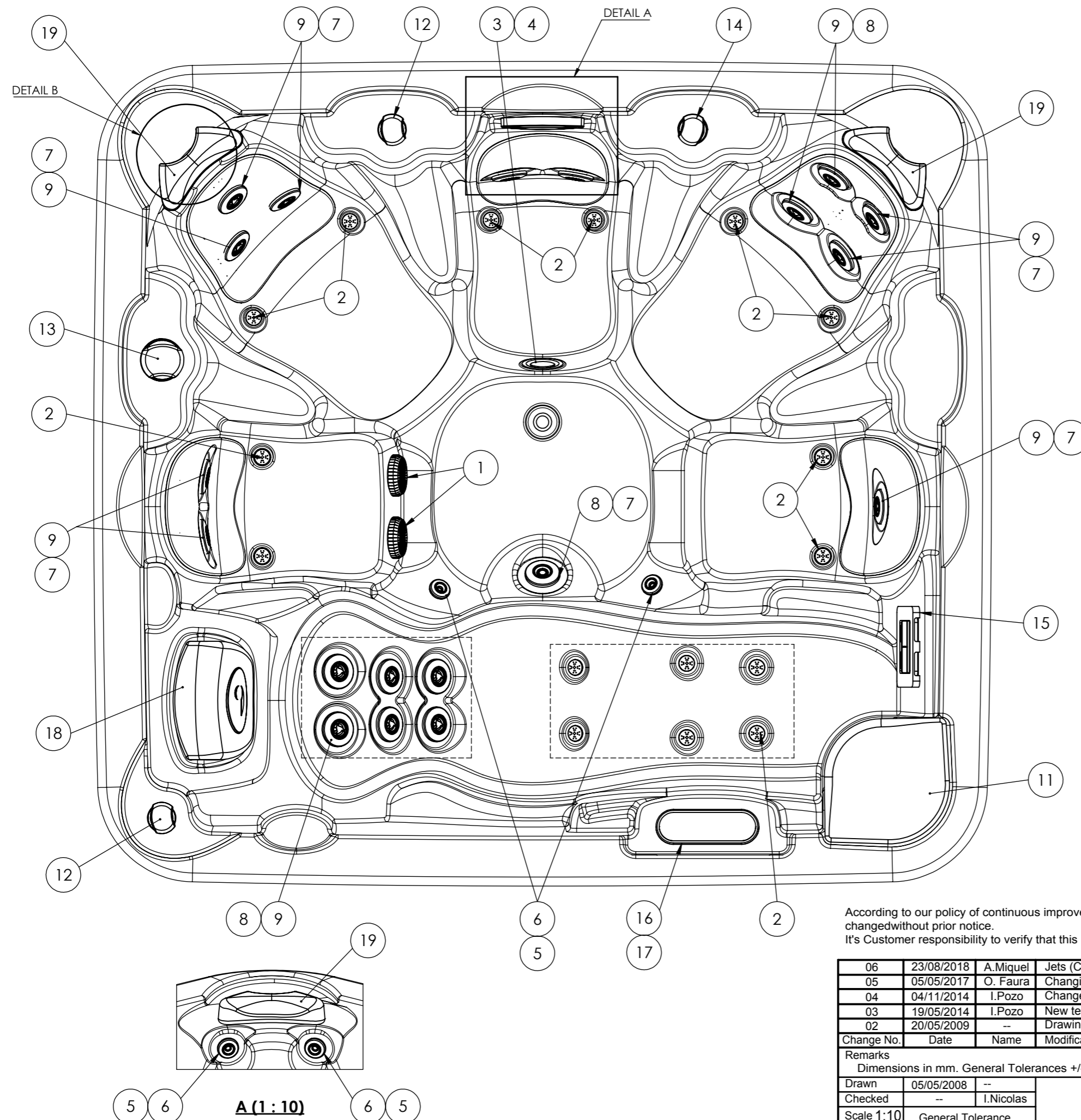


According to our policy of continuous improvement, dimensions, features or components of this product can be partially or completely changed without prior notice.
 It's Customer responsibility to verify that this is the last version of the drawing

06	23/08/2018	A.Miquel	Jets (CMP) , filtration pump and DSG waterfall changed.
05	05/05/2017	O. Faura	Changing of electronic parts references.
04	04/11/2014	I.Pozo	Change scale and new spare template
03	19/05/2014	I.Pozo	New templates
02	20/05/2009	--	Drawing updated
Change No.	Date	Name	Modification

Remarks Dimensions in mm. General Tolerances +/- 10mm			COMMERCIAL			
Drawn	05/05/2008	--	IBERSPA	Part Number	Rev.	First Angle Projection
Checked	--	I.Nicolas		40768	06	
Scale 1:15	General Tolerance DIN 7168 ISO 2768g					
Sheet	1/2					

Position Num.	PartNo SPARE	Description SPARE	Qty.
1	RPOR0223	WHITE SPA DRAIN 2" ADAPTOR SOCKET D.50	2
2	REMP0046	WHITE-STAINLESS STEEL AIR NOZZLE	16
3	RPOR0239	SPOTLIGHT LED SET RD	1
4	RPOR0240	MASTER LED LIGHT	1
5	RPOR0375	JET BODY SET CMP 2"	4
6	RPOR0375-A	FRONTAL JET 2" STAINLESS STEEL DIRECTIONAL	4
7	RPOR0376	JET BODY SET 3" SQR	19
8	RPOR0376-A	FRONTAL JET 3" STAINLESS STEEL DIRECTIONAL	3
9	RPOR0376-B	FRONTAL JET 3" STAINLESS STEEL TWIN ROTO	16
10	RPOR0378	DSG 7" WATERFALL	1
11	RPOR0156	SKIMFILTER COVER	1
12	RPOR0261	VENTURY CONTROLLER SS	2
13	RPOR0262	3 WAYS SS VALVE 2"	1
14	RPOR0263	VALVE ON-OFF 1" SS	1
15	RPOR0178	SKIMMER FILTER GRIS for preasure filter	1
16	RPOR0356	CONTROL PANEL TP800	1
17	RPOR0356-C	COVER DIGITAL STANDARD PANEL TP800 (1 PUMP + BLOWER)	1
18	RPOR0094	BIG HEADREST - PACIFIC-ANTARTIC-EVOLUTION	1
19	RPOR0095	SMALL HEADREST - PACIFIC-ANTARTIC	2



According to our policy of continuous improvement, dimensions, features or components of this product can be partially or completely changed without prior notice. It's Customer responsibility to verify that this is the last version of the drawing

Change No.	Date	Name	Modification
06	23/08/2018	A.Miquel	Jets (CMP) , DSG waterfall and filtration pump changed.
05	05/05/2017	O. Faura	Changing of electronic parts references.
04	04/11/2014	I.Pozo	Change scale and new spare template
03	19/05/2014	I.Pozo	New templates
02	20/05/2009	--	Drawing updated

Remarks			SPARE PARTS DRAWING					
Dimensions in mm. General Tolerances +/- 10mm								
Drawn	05/05/2008	--		Part Number	40768	Rev.	06	First Angle Projection
Checked	--	I.Nicolas						
Scale 1:10	General Tolerance DIN 7168 ISO 2768g							
Sheet 2/2								