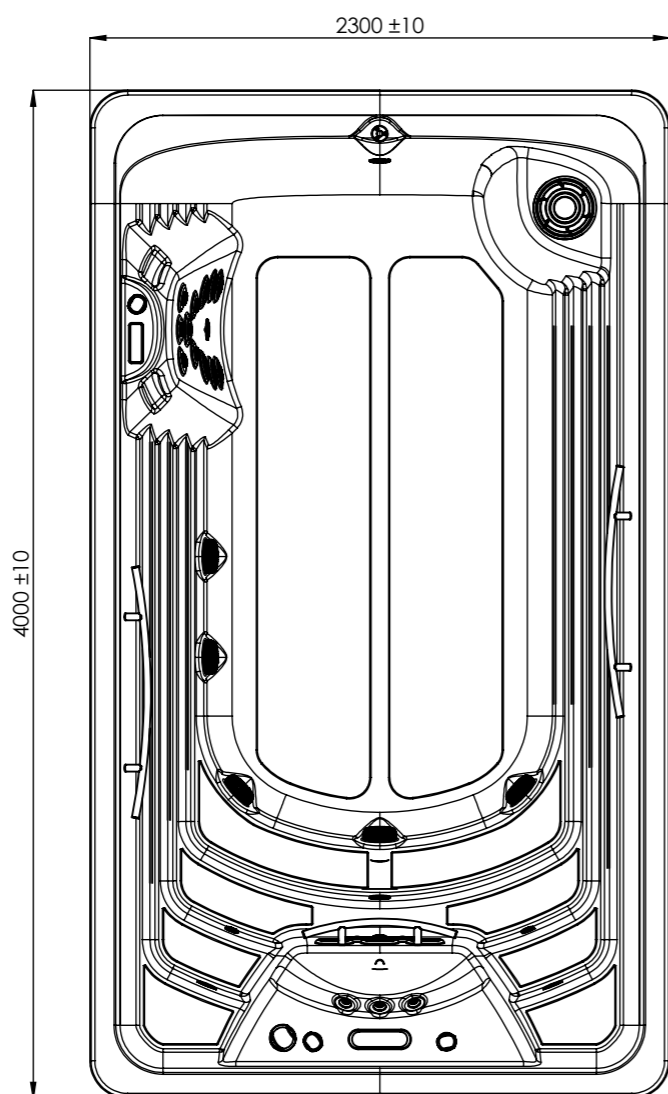


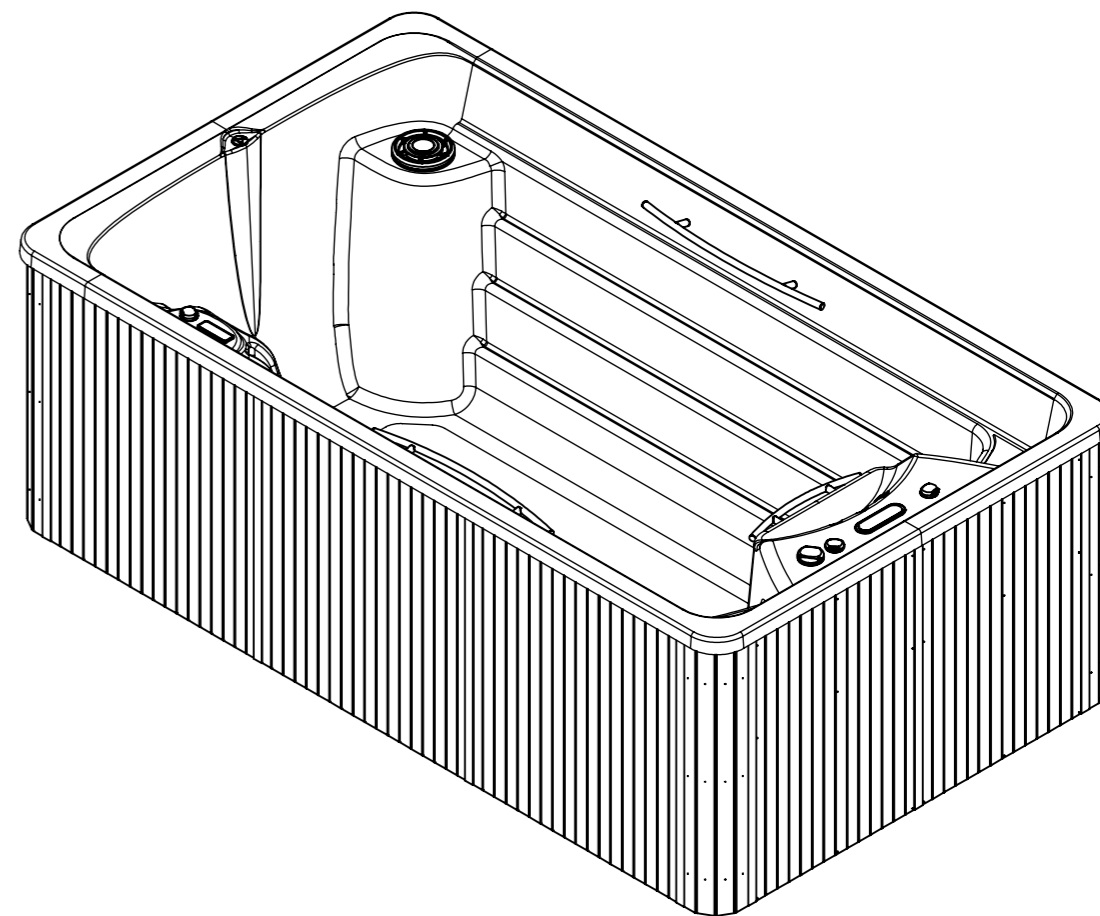
↑
DRAIN



↑
DRAIN

↑ ↑

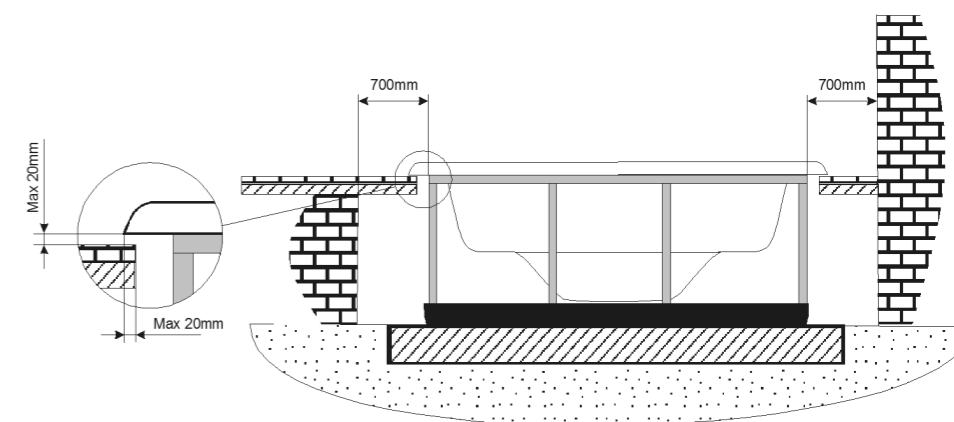
ELECTRICAL BOARD CONNECTIONS ACCESS



Inground option

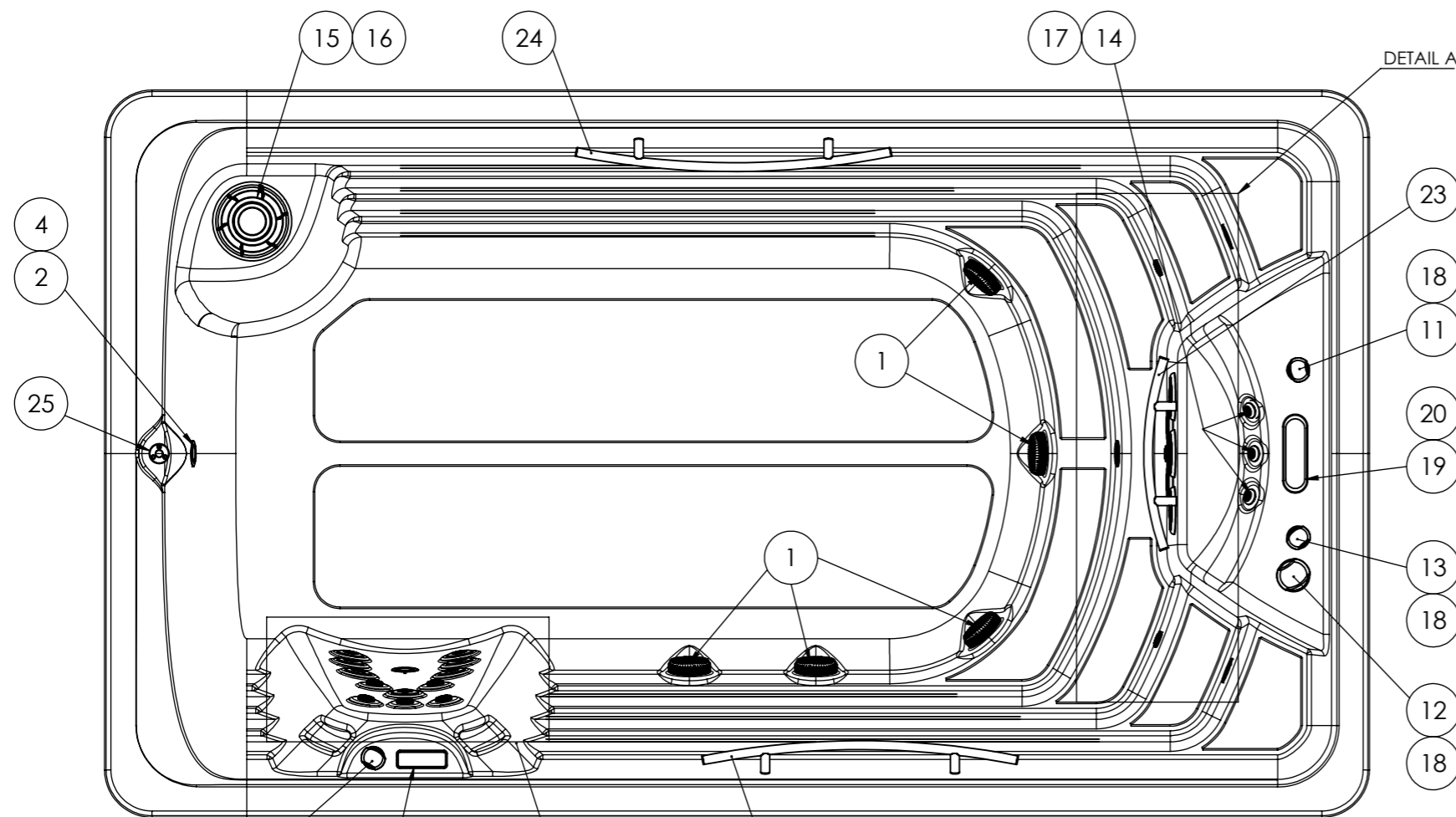
WARNING:

It's essential to keep a minimum clearance access of **700mm** all around.

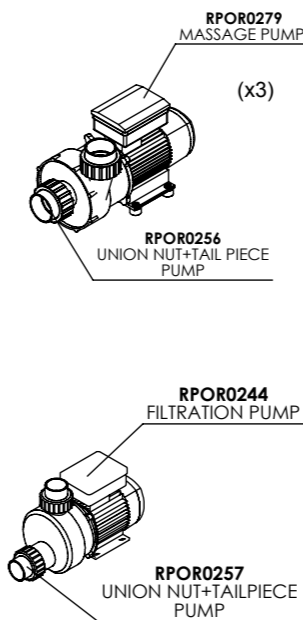


According to our policy of continuous improvement, dimensions, features or components of this product can be partially or completely changed without prior notice. It's Customer responsibility to verify that this is the last version of the drawing

01	04/10/2018	A.Miquel	Jets (CMP) changed.			
Change No.	Date	Name	Modification			
Remarks				COMMERCIAL		
Dimensions in mm. General Tolerances +/- 10mm						
Drawn	20/03/2017	O. Faura	IBERSPA		Part Number	Rev.
Checked	20/03/2017	V. Saiz			69128	01
Scale 1:30	General Tolerance					
Sheet 1/2	DIN 7168 ISO 2768g				First Angle Projection	
Property of IBERSPA S.L. Avda. Pla d'Urgell 2-8 25200 Cervera, Spain. Don't use without permission. Keep this information confidential and use it solely for the permitted purpose.						

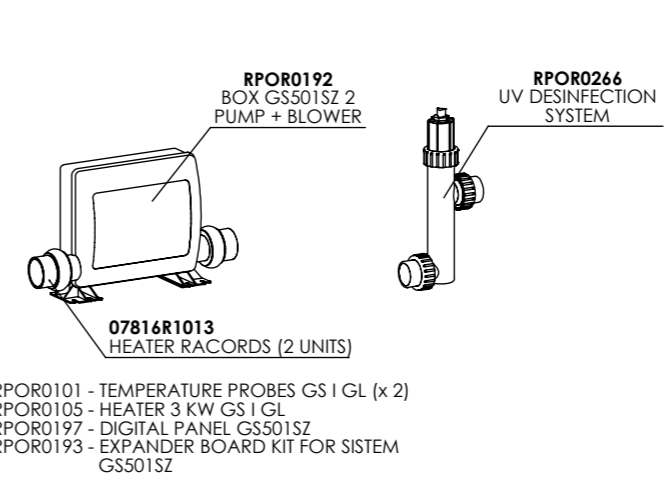


PUMPS SPARE CODES

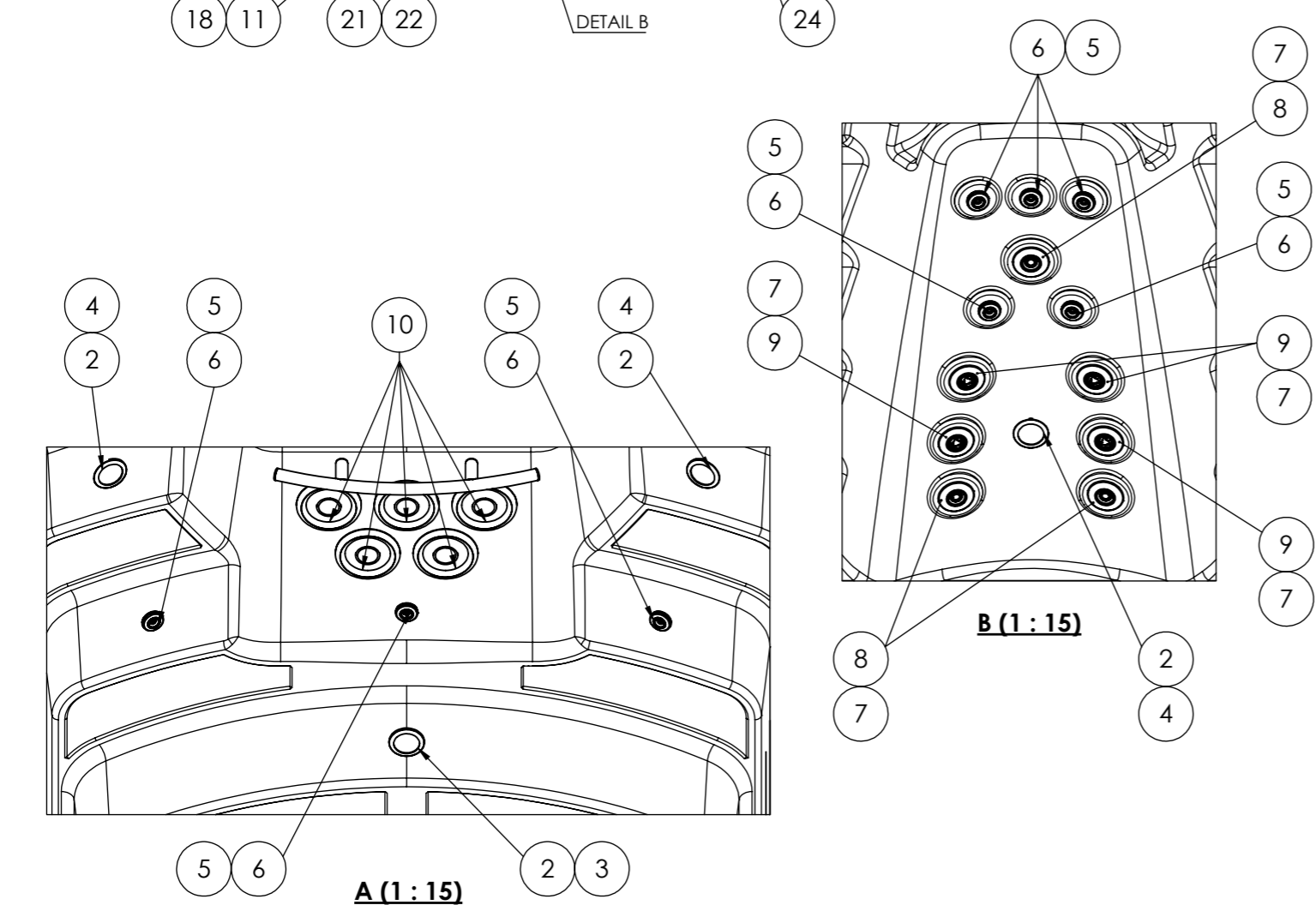
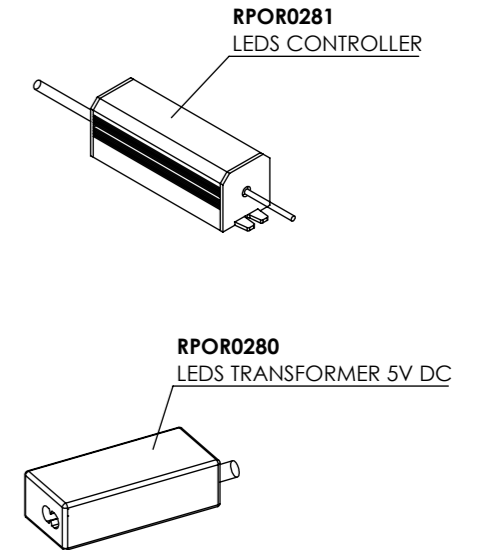


Position Num.	PartNo SPARE	Description SPARE	Qty.
1	RPOR0166	SUPER HI-FLO SUCTION 2" GREY	5
2	RPOR0239	SPOTLIGHT LED SET RD	5
3	RPOR0240	MASTER LED LIGHT	5
4	RPOR0252	LED SLAVE LIGHT	5
5	RPOR0375	JET BODY SET CMP 2"	8
6	RPOR0375-A	FRONTAL JET 2" STAINLESS STEEL DIRECTIONAL	8
7	RPOR0376	JET BODY SET 3" SQR	7
8	RPOR0376-A	FRONTAL JET 3" STAINLESS STEEL DIRECTIONAL	3
9	RPOR0376-B	FRONTAL JET 3" STAINLESS STEEL TWIN ROTO	4
10	RPOR0282	SWIM JET STAINLESS STEEL	5
11	RPOR0261	VENTURY CONTROLLER SS	2
12	RPOR0262	3 WAYS SS VALVE 2"	1
13	RPOR0286	3 WAYS VALVE 1" SS	1
14	RPOR0165	FOUNTAIN	3
15	RPOR0174	SKIMMER SWIMSPA	1
16	RPOR0175	SWIMSPA CARTDRIGE FILTER	1
17	RPOR0268	1 LED LIGHT POINT	3
18	RPOR0267	4 LEDS LIGHTS POINTS	4
19	RPOR0202	COVER DIGITAL PANEL VL700 2 PUMP + BLOWER	1
20	RPOR0196	DIGITAL PANEL VL700+COVER 2 PUMP + BLOWER	1
21	RPOR0312	AUX PANEL VX40 3 JETS PUMPS	1
22	RPOR0291	COVER AUXILIARY PANEL VL700 (3 PUMPS)	1
23	RPOR0250	SPECIAL HANDGRIP SPA 600	1
24	RPOR0198	SPECIAL HANDGRIP SPA 1000	2
25	RPOR042	FASTENING SWIMM SET	1

HEATER AND DESINFECTATION SPARE CODES



LIGHT COMPONENTS SPARE CODES



According to our policy of continuous improvement, dimensions, features or components of this product can be partially or completely changed without prior notice. It's Customer responsibility to verify that this is the last version of the drawing

Change No.	Date	Name	Modification
01	04/10/2018	A.Miquel	Jets (CMP) changed.

Remarks			SPARE PARTS DRAWING		
Dimensions in mm. General Tolerances +/- 10mm					
Drawn	20/03/2017	O. Faura		Part Number	69128
Checked	20/03/2017	V. Saiz			
Scale	1:20	General Tolerance			
Sheet	2/2	DIN 7168 ISO 2768g			

Property of IBERSPA S.L. Avda. Pla d'Urgell 2-8 25200 Cervera, Spain. Don't use without permission. Keep this information confidential and use it solely for the permitted purpose.