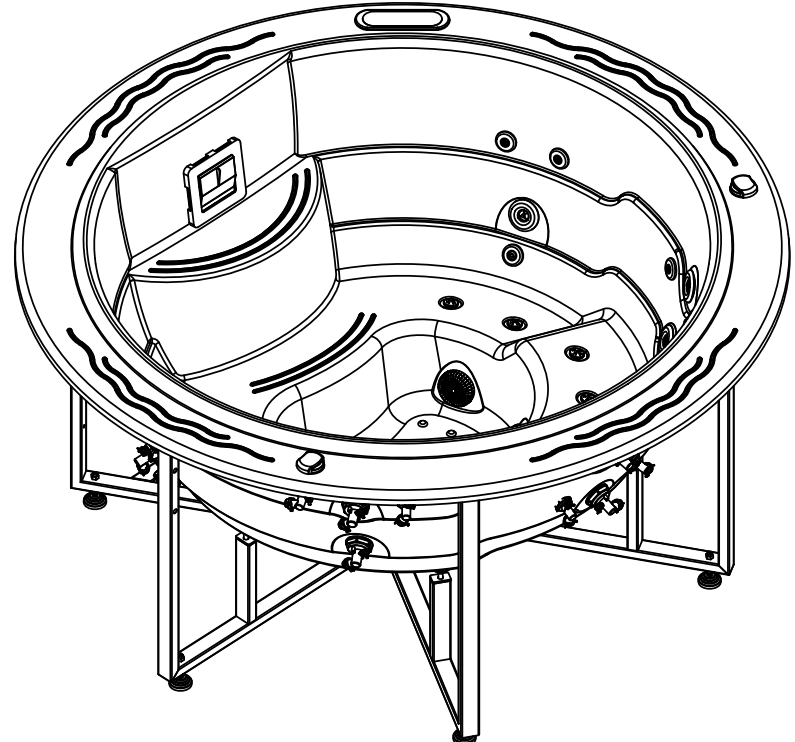
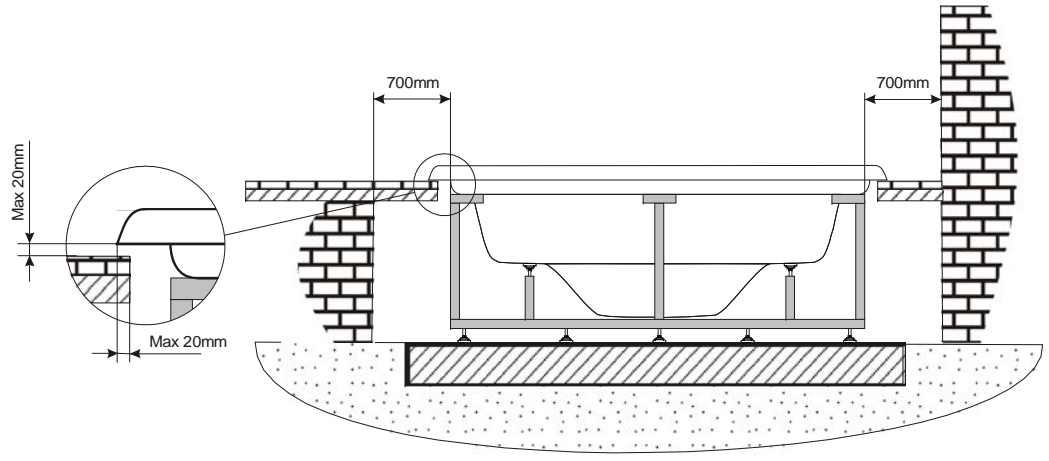
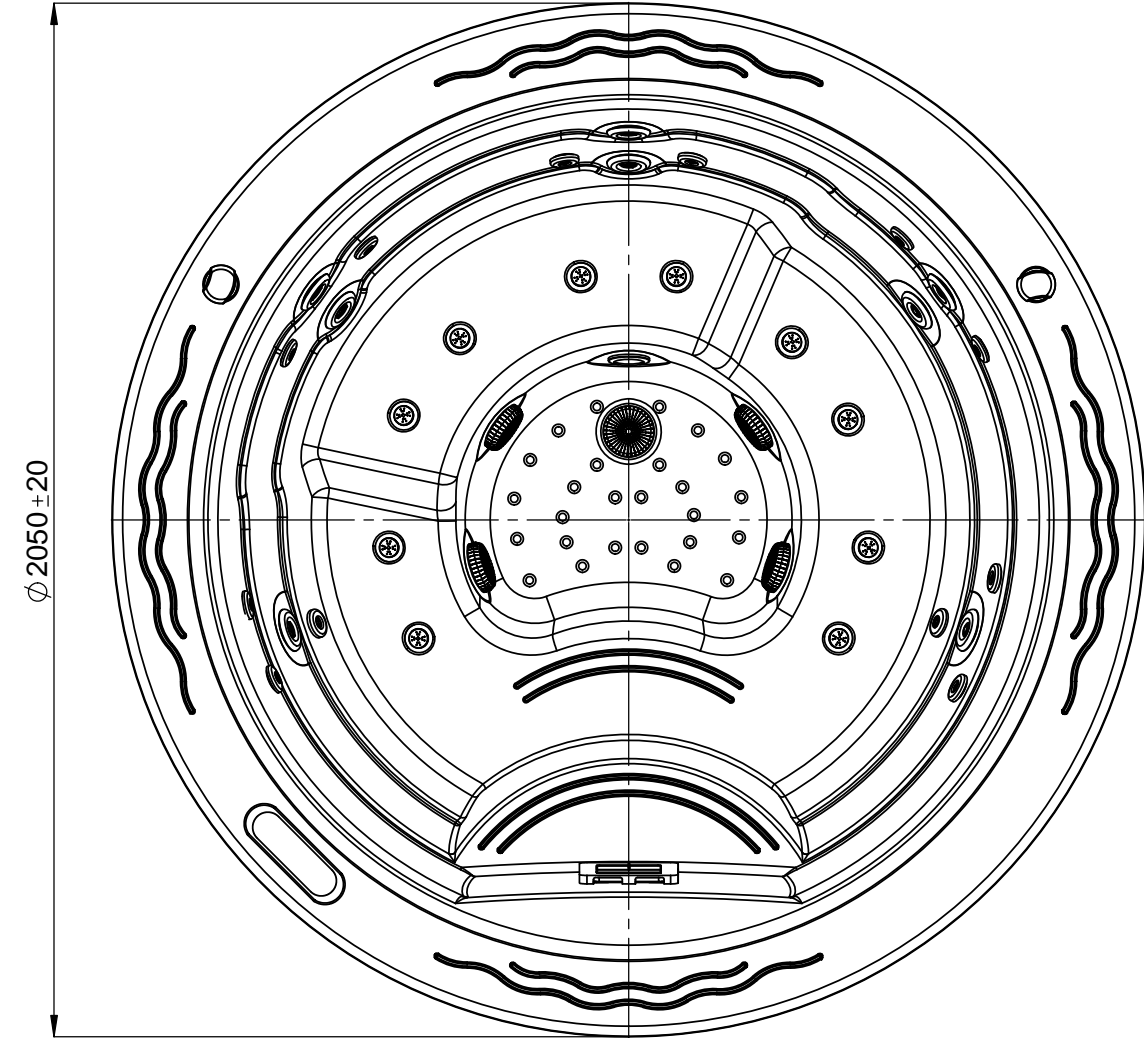


A	Suction-Water Massage Pump 1	Ø 63 FEMALE SOCKET
B	Return-Water Massage Pump 1	Ø 63 FEMALE SOCKET
C	Return-Air Massage	Ø 50 FEMALE SOCKET
D	Suction-Filtration Pump Bottom Spa	Ø 63 FEMALE SOCKET
E	Return-Filtration Pump Inlets	Ø 63 FEMALE SOCKET



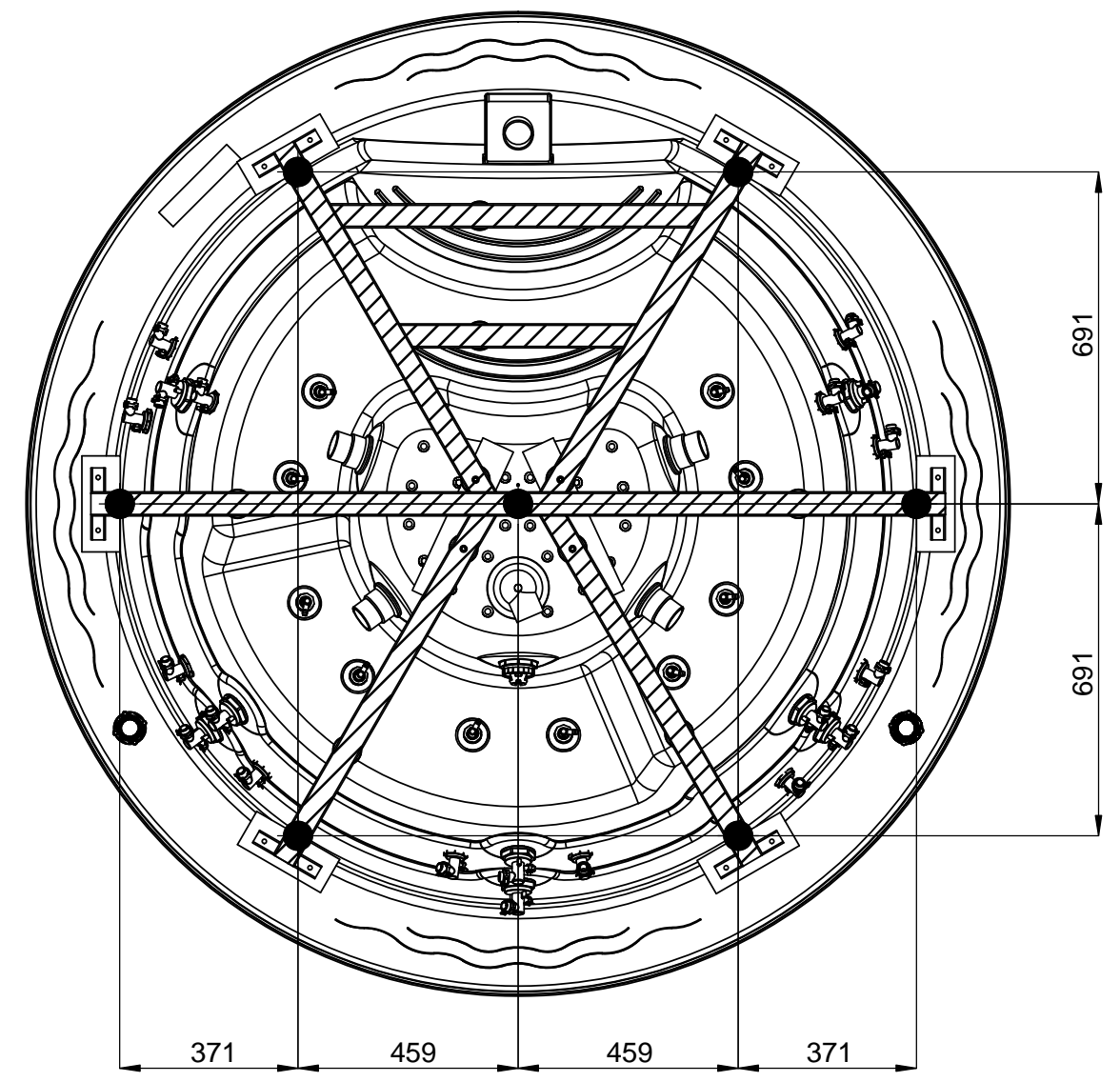
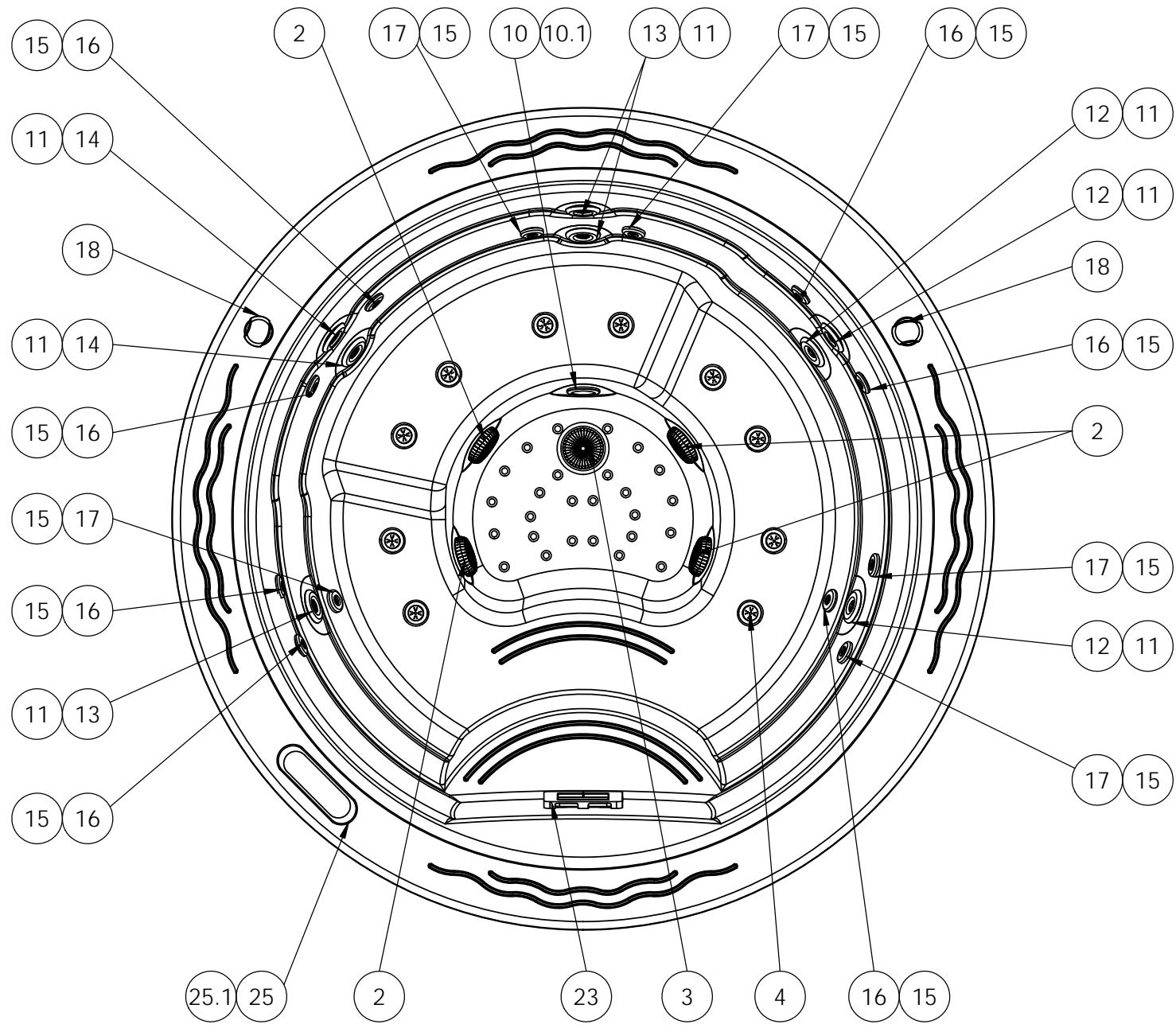
**WARNING:**  
It's essential to keep a minimum clearance access of **700mm** all around.



According to our policy of continuous improvement, dimensions, features or components of this product can be partially or completely changed without prior notice.  
It's Customer responsibility to verify that this is the last version of the drawing

03	17/12/2014	I.Pozo	Change tolerance heigh spa
02	15/10/2014	I.Pozo	New spare template
01	12/05/2014	I.Pozo	New templates
00	22/12/2009	M.Freixes	Drawing creation
Change No.	Date	Name	Modification
Remarks			COMMERCIAL
Dimensions in mm. General Tolerances +/- 10mm			
Drawn	22/12/2009	M.Freixes	
Checked	-	I.Nicolas	
Scale 1:15	General Tolerance		Part Number
Sheet 1/2	DIN 7168 ISO 2768g		
			49859
			Rev. 03
			First Angle Projection

↑ ↑  
HYDRAULIC CONNECTIONS ACCESS



ACCESSORIES			
Position Num.	Part Nº SPARE	Description SPARE	Quant.
1	303325R	SPA SUPPORT	17
2	RPOR0225	GREY SPA DRAIN 2" ADAPTOR SOCKET D.50	4
3	RPOR0226	GREY SPA DRAIN 2" ADAPTOR ELBOW 90 D.50	1
4	REMP0046	WHITE-STAINLESS STEEL AIR NOZZLE	10
10	RPOR0239	SPOTLIGHT LED SET RD	1
10.1	RPOR0240	MASTER LED LIGHT	1
11	RPOR0236	JET BODY SET RD 3"	8
12	RPOR0231	FRONTAL JET 3" STAINLESS STEEL DIRECTIONAL	3
13	RPOR0232	FRONTAL JET 3" STAINLESS STEEL 1 JET ROTO	3
14	RPOR0233	FRONTAL JET 3" STAINLESS STEEL TWIN ROTO	2
15	RPOR0235	JET BODY SET RD 2"	12
16	RPOR0230	FRONTAL JET 2" STAINLESS STEEL DIRECTIONAL	7
17	RPOR0260	JET TWIN ROTO 2" INOX	5
18	RPOR0261	VENTURY CONTROLLER SS	2
23	RPOR0178	SKIMMER FILTER GRIS for preassure filter	1
25	RPOR0195	DIGITAL PANEL VL700+COVER 1 PUMP + BLOWER	1
25.1	RPOR0201	COVER DIGITAL PANEL VL700 1 PUMP + BLOWER	1

According to our policy of continuous improvement, dimensions, features or components of this product can be partially or completely changed without prior notice. It's Customer responsibility to verify that this is the last version of the drawing

Change No.	Date	Name	Modification
03	17/12/2014	I.Pozo	Change tolerance heigh spa
02	15/10/2014	I.Pozo	New spare template
01	12/05/2014	I.Pozo	New templates
00	22/12/2009	M.Freixes	Drawing creation

Remarks Dimensions in mm. General Tolerances +/- 10mm			<b>SPARE PARTS DRAWING</b>		
Drawn	22/12/2009	M.Freixes			
Checked	-	I.Nicolas		Part Number	49859
Scale	1:15	General Tolerance		Rev.	03
Sheet	2/2	DIN 7168 ISO 2768g		First Angle Projection	

Property of IBERSPA S.L. Avda. Pla d'Urgell 2-8 25200 Cervera, Spain. Don't use without permission. Keep this information confidential and use it solely for the permitted purpose.